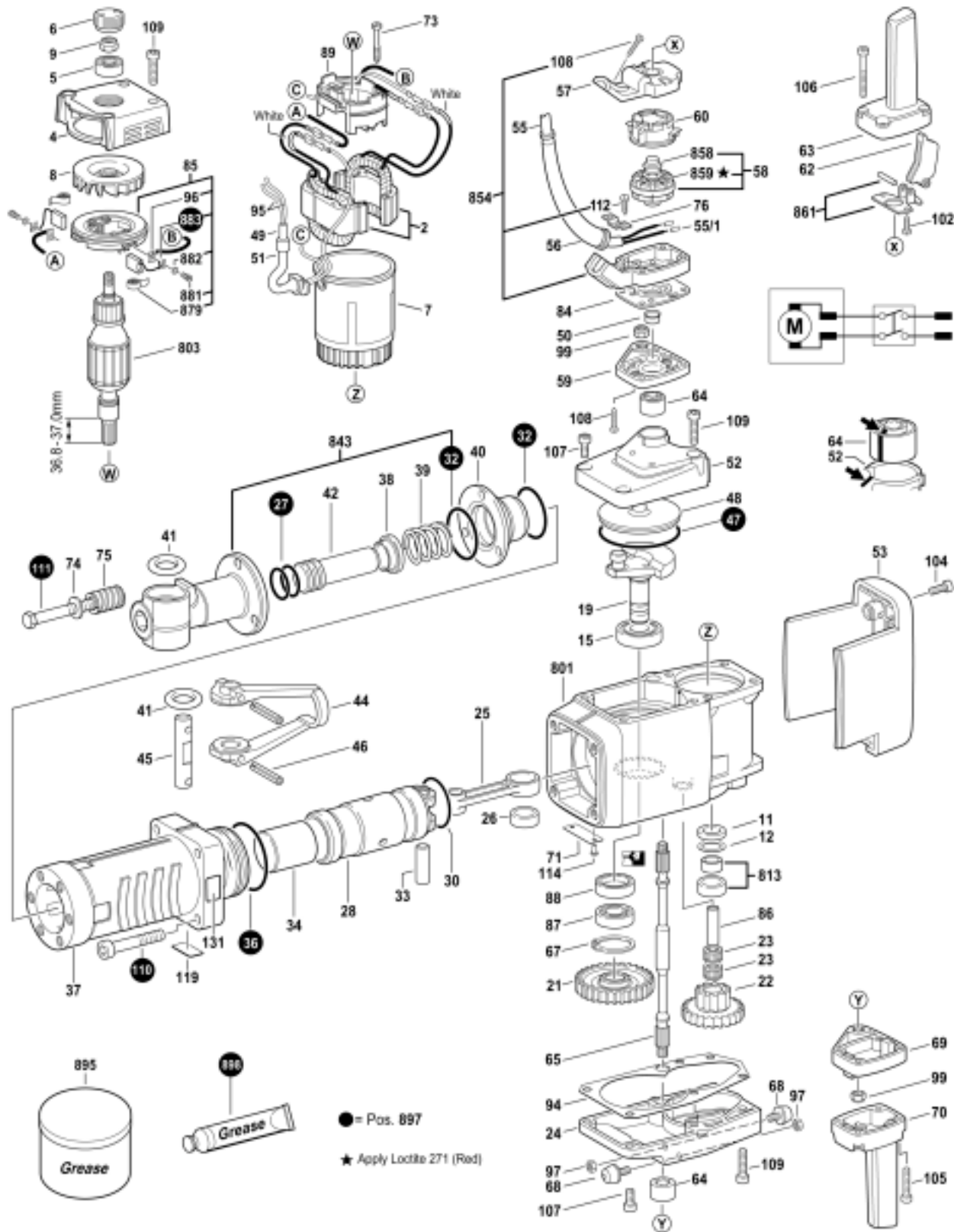


# Bosch "Brute" Hammer

## Model Numbers

11304



Bosch Breaker Hammer

**PHP**

# Bosch "Brute" Hammer

## Model Numbers

11304

Key No.	Part No.	Description	Key No.	Part No.	Description
2	1 614 220 157	Field 120V	87	1 610 900 027	Ball Bearing
4	1 615 805 068	Bearing Housing	88	1 610 283 016	Oil Seal
5	1 610 900 015	Ball Bearing	89	1 610 009 008	Insulating Plate
6	1 615 500 214	Retaining Nut	94	1 611 015 021	Gasket
7	1 615 108 104	Field Housing	95	1 614 431 030	Cable
8	1 616 610 091	Fan	96	1 614 448 037	Cable (qty. 2)
9	1 613 313 000	Nut	97	2 915 011 007	Nut (qty. 2)
11	1 610 108 013	Felt Seal	99	3 613 313 500	Nut (qty. 2)
12	1 610 102 616	Washer	102	2 910 211 025	Screw (qty. 2)
15	1 610 910 091	Needle Bearing	104	2 910 141 201	Screw (qty. 4)
19	1 616 110 033	Eccentric Shaft	105	2 914 551 188	Screw (qty. 4)
21	1 616 318 009	Eccentric Gear	106	2 914 551 189	Screw (qty. 4)
22	1 616 328 036	Intermediate Gear	107	2 910 141 242	Screw (qty. 4)
23	1 610 913 005	Needle Bearing (qty. 2)	108	2 914 201 707	Screw (qty. 4)
24	1 615 500 323	Gear Housing Cover	109	2 910 141 248	Screw (qty. 9)
25	1 612 001 027	Connecting Rod	110	2 910 141 356	Screw (qty. 4)
26	1 610 910 092	Needle Bearing	111	3 613 450 500	Hex Bolt (qty. 3)
27	1 610 210 033	O-Ring (qty. 2)	112	2 910 211 236	Screw (qty. 2)
28	1 618 700 043	Piston	114	2 917 721 034	Pin (qty. 2)
30	1 614 601 039	Retainer	119	1 601 110 058	Label
32	1 900 210 156	O-Ring (qty. 2)	131	1 601 110 618	Label
33	3 613 101 500	Wrist Pin	801	1 617 000 851	Motor Housing Assembly w/pos. 11, 12, 15, 67, 71, 86, 87, 88, 114, 813
34	1 618 710 039	Striker	803	1 614 011 092	Armature 120V
36	1 900 210 166	O-Ring	813	1 610 910 035	Needle Bearing
37	1 615 806 029	Guide Tube	843	1 617 000 428	Tool Holder Assembly w/pos.
38	1 610 220 009	Ring	854	3 607 000 509	Switch Housing Assembly w/pos. 108, 112
39	1 614 619 005	Spring	858	1 610 591 001	Switch Button
40	1 615 700 017	Flange	859	2 910 091 118	Switch Screw (qty. 6)
41	1 610 210 008	O-Ring (qty. 2)	861	1 617 000 429	Mounting Plate Assembly
42	1 613 123 003	Impact Bolt	879	1 614 652 001	Brush Spring (qty. 2)
44	1 618 045 018	Locking Lever	881	1 613 490 005	Screw (qty. 2)
45	1 613 103 004	Locking Bolt	882	2 916 699 130	Lock Washer (qty. 2)
46	2 917 760 187	Roll Pin (qty. 2)	883	1 617 000 425	Brush Set
47	1 900 210 172	O-Ring	895	1 615 430 016	Grease 1000ml
48	1 610 516 007	Eccentric Cover	897	1 617 000 426	Service Pack
49	1 610 707 000	Sleeve	898	1 615 430 015	Grease 225ml
50	3 600 421 500	Brass Bushing			
51	1 610 703 019	Strain Relief			
52	1 615 500 324	Slide Housing Cover			
53	1 615 500 325	Top Housing Cover			
55	3 604 460 507	Cord 115V			
55/1	1 900 452 003	Terminal Sleeve (qty. 2)			
56	1 610 703 011	Strain Relief			
57	1 615 500 212	Switch Cover			
58	1 617 200 015	Switch			
59	1 615 700 041	Intermediate Plate			
60	1 615 500 211	Switch Flange			
62	1 612 026 011	Switch Lever			
63	1 615 132 010	Switch Handle			
64	1 616 334 000	Handle Buffer (qty. 2)			
65	1 613 060 005	Shaft			
67	2 916 660 023	Retaining Ring			
68	1 613 465 001	Handle Bumper (qty. 2)			
69	1 615 700 042	Intermediate Plate			
70	1 615 132 011	Handle			
71	1 611 11A 004	Name Plate			
73	1 603 435 019	Screw (qty. 2)			
74	2 916 160 009	Spring Washer (qty. 3)			
75	3 614 640 501	Spring (qty. 3)			
76	3 611 034 500	Cord Clamp			
84	1 611 099 003	Mounting Plate			
85	1 614 336 045	Brush Holder w/pos. 96, 879 - 883			
86	1 610 300 033	Pin			