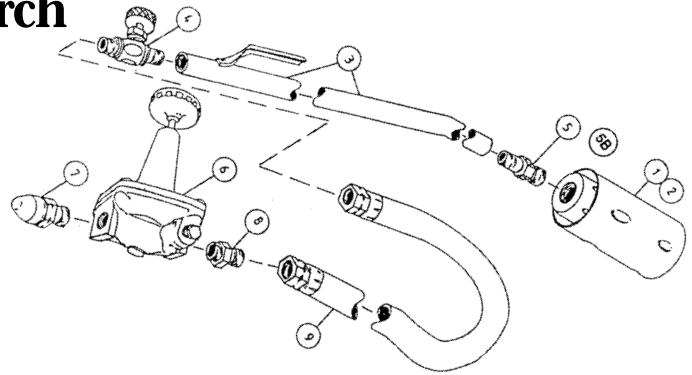


Torches

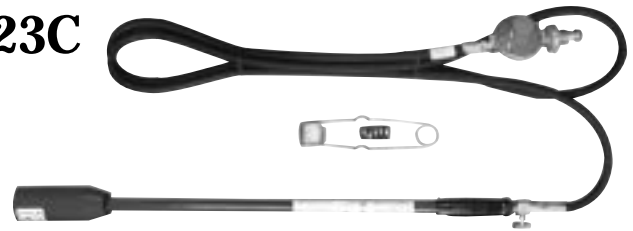
Sure Flame ST2 and ST3 Torch

Key No.	Part No.	Description
1	30BV1P	ST2 Sure Flame Burner
2	33BV3P	ST3 Sure Flame Burner
3	12S01P	Torch Handle
4	12S02P	Gas Valve
5	12S03P	Burner Orifice (ST-2)
5	12S04P	Burner Orifice (ST-3)
6	597FB	Regulator (Optional)
7	30S07P	POL Fitting
	G1690	POL if regulator is used
8	30S08P	Hose Coupling for regulator
9	2510LH	1/4" x 10' Hose Assembly
10	2525LH	1/4" x 25' Hose Assembly



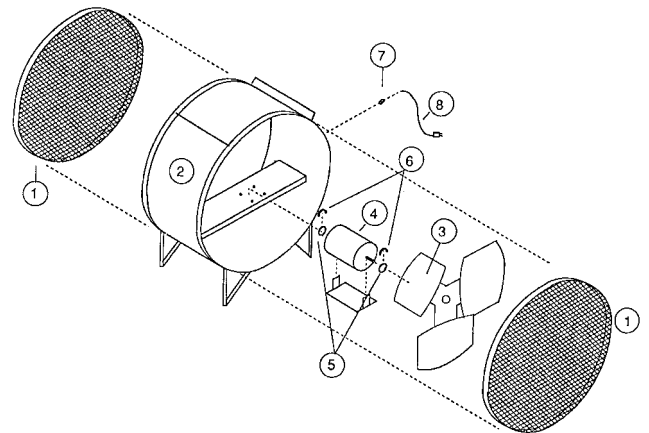
Weed Dragon Torch Kit - VT2-23C

Part No.	Description
HP-10	10' UL Listed Hose
PW-795	Hand Tight POL Fitting
V-3055	Adjusting Needle Valve
R-700C	Regulator
L-2001	Spark Lighter w/flints



Sure Flame Model FN 20P

Key No.	Part No.	Description
1	FN20-51P	Fan Guard
2	FN20-53P	Fan Housing
3	FS2422P	20" Fan Blade
4	FS2431P	1/2 HP 115V 1725 RPM Electric Motor
5	FS5665P	Rubber Motor Mount
6	FS5962P	Motor Mount Base Clamp Kit
7	SC5508P	3/4 Strain Relief Connector
8	HC1020P	Power Cord 24 inch



UB181P Utility Blower

Key No.	Part No.	Description
1	FS6611P	Fan Guard
2	FSUB-1705P	Housing Assembly w/o Wheels
3	FS6609P	Fan Blade
4	HM1166P	1HP, 115V, 1725 RPM Motor
5	HC1020P	Power Cord
6	FS5844P	7/8" Strain Relief Bushing
7	FSUB-1503P	Switch Box
8	HC1011P	20 Amp Toggle Switch
9	FS6330P	1/2" Push Nut
10	HW1164P	8" Semi Pneumatic Wheel
OPTIONAL ACCESSORIES NOT SHOWN		
	FDFA-18P	UB18 18" Duct Transition
	FSUB-1706P	UB18 16" Duct Transition
	FSUB-1707P	UB18 12" Duct Transition
	DU1825NHP	Duct-18"x25' w/o holes

