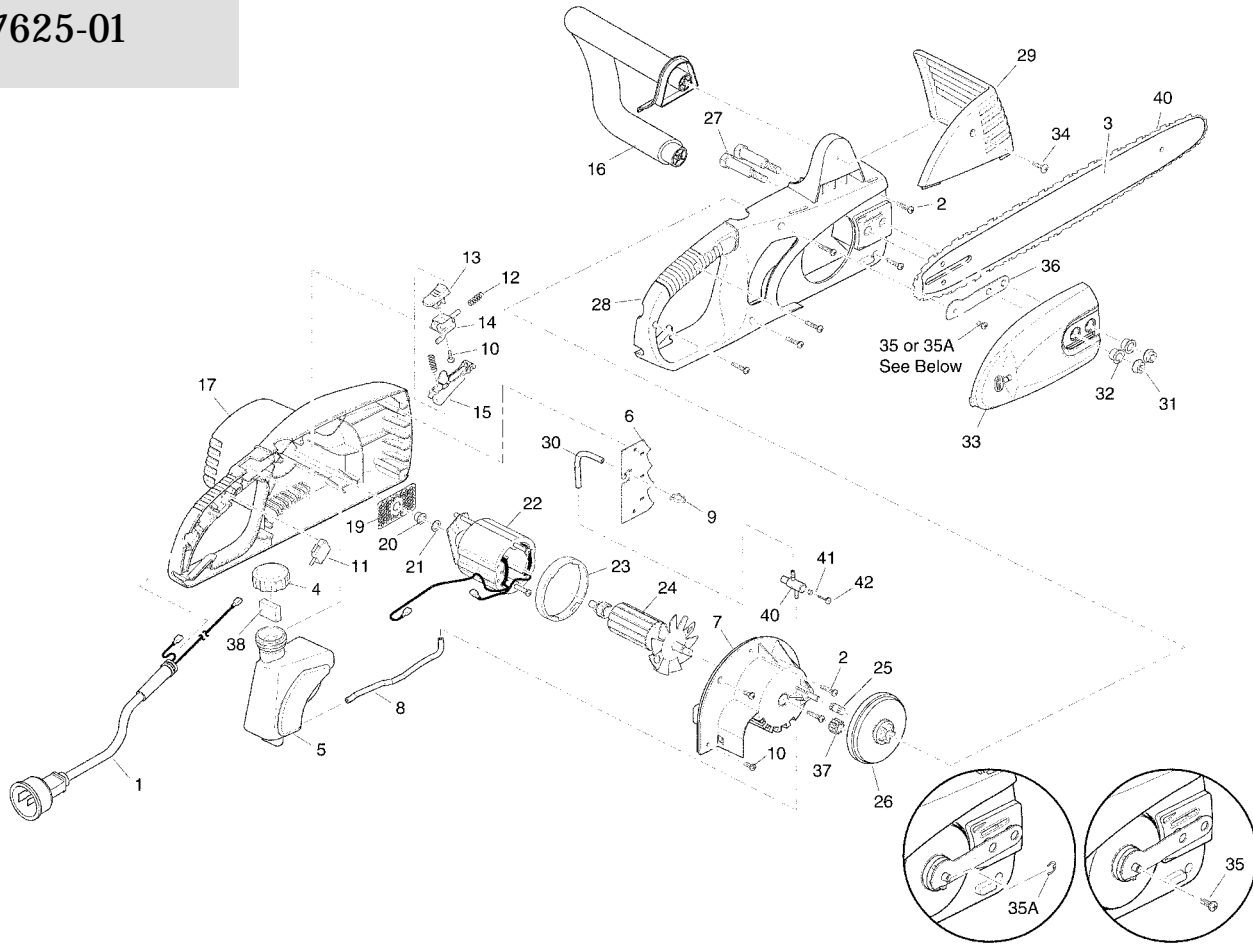


# Remington Electric Chain Saw

**Model Numbers**  
107625-01



Key No.	Part No.	Description
1	099829-04	Shrouded Cord
2	107708-01	Screw, PPH B 8-18 x .88 (qty. 8)
3	107704-02	Bar, Guide 16"
4	107610-01	Cap, Reservoir
5	107611-01	Reservoir, Oil
6	107617-01	Plate, Bucking
7	107607-01	Plate, Bearing
8	107719-02	Tubing, .250
9	107721-01	Retainer, Hose
10	107708-02	Screw, PPH B 8-18 x .50 (qty. 4)
11	107729-01	Switch
12	107694-01	Spring, Trigger (qty. 2)
13	107606-01	Lock-Off, Trigger
14	107693-01	Retainer, Lock-Off Trigger
15	107605-01	Trigger
16	107609-01	Handle, Wrap Around
17	107602-01	Housing, Motor
19	059428	Screen, Bearing
20	067987	Bearing, Flanged
21	058059	Washer, Thrust
22	098042-02	Field, 120V
23	108119-01	Ring, Field Support
24	100933-02	Armature, 120V
25	075676	Bearing, Roller Sprocket
26	107713-01	Gear, Sprocket

Key No.	Part No.	Description
27	107707-01	Mounts, Guide Bar (qty. 2)
28	107603-01	Cover, Side
29	107608-01	Guard, Hand, Front
30	107719-01	Tubing, .250
31	107710-01	Nut, Guide Bar (qty. 2)
32	107711-01	Bushing, Sprocket Cover (qty. 2)
33	108641-02	Assembly, Sprocket Cover [Includes: (107728-02) Block, Adjusting; (109706-01) Screw, Thumb Tension; (109708-01) KlipRing, 1/4"; (107604-01) Cover, Sprocket]
34	109701-01	Screw, Truss Head
35	076905	Screw, Shoulder Pan - HD
35A	108120-01	E-Ring
36	107615-01	Support, Sprocket
37	059606	Gear, Drive IIT 20DP
38	107730-01	Filter, Oil Reservoir
39	091375-02S	Chain, Saw (16"), Bulk Pack
40	107595-01	Body, Pump
41	107700-01	Spring, Large Pump
42	108186-01	Assembly, Cam Follower

PARTS AVAILABLE - NOT SHOWN  
079963-04 Scabbard  
107705-01 Owner's Manual

Remington Chainsaw

**PHP**

800-362-6951 • Fax 800-255-7985  
www.portableheaterparts.com