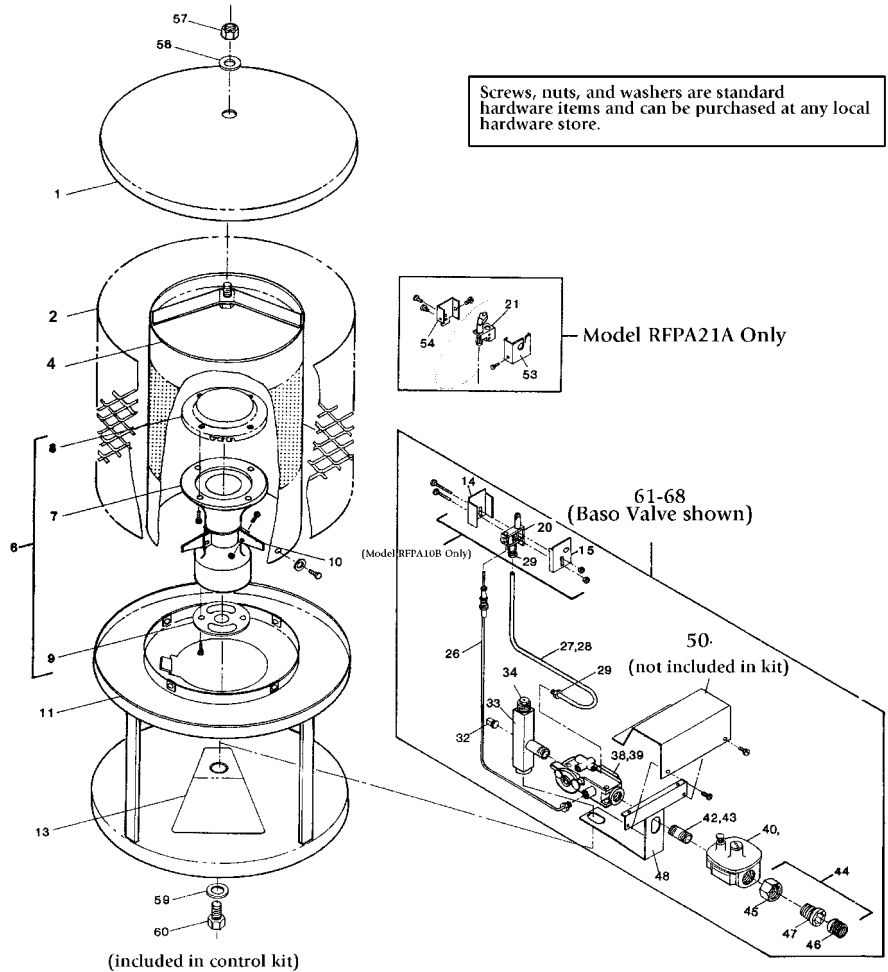


# Space Ray Propane or Natural Gas Radiant Heater

## Model Numbers

RFPA10B  
RFPA21A



Screws, nuts, and washers are standard hardware items and can be purchased at any local hardware store.

## Key Part

No.	Number	Description
1	0411400	Upper Head
2	0459302	Expanded Metal Guard (short) (RFPA10B)
4	0436202	Heat Exchanger Assembly (short) (RFPA10B)
6	0438000	Main Burner Assembly (complete)
7	4185800	Burner Base
8	4185900	Burner Cap
9	0409401	Shutter Plate - Fixed
10	4058400	Burner Alignment Bracket

## Assembly

11	0478301	Base Assembly
13	4180600	Warning Plate
14	4179502	Pilot Shield - Outer (RFPA10B)
15	4179501	Pilot Shield - Inner (RFPA10B)
16	0339902	Pilot Burner & Orifice Fitting - Nat #J129DDA3223 (RFPA10B-N6,N6C)
21	3033501	Pilot Burner & Orifice Fitting - Nat. #J181EKA7221 (RFPA21A-N6)
26	0340103	Thermocouple (RFPA10B, RFPA21A)
27	0465900	Pilot Tubing - Baso Valve
28	4179900	Pilot Tubing - White-Rodgers valve
29	0352700	Break Away Fitting - Comes w/valve & pilot orifice
32	0333902	Plug - 1/8" (Pressure Tap)
33	4183400	Burner Fitting Assembly
34	0325812	Main Burner Orifice (Nat.) #12 (RFPA10B-N6,N6C)
38	0369500	Gas Valve - Baso #H43BA-5D
40	0330710	Regulator - RV48 (Nat.)
42	0333304	Nipple 1/2 x 1-12
43	0333310	Nipple 1/2 x 3
44	0306800	Union (Complete)
45	0306803	Nut (Union)
46	0306801	Union Half - Female
47	0306802	Union Half - Male

## Key Part

No.	Number	Description
48	4313600	Manifold Support & Nameplate Bracket
49	4135701	Instruction Manual (not shown)
50	4198800	Nameplate (State Gas Type) (RFPA10B-6)
53	4291801	Pilot Shield - Inner (RFPA21A)
57	0212715	Nut - Hex 1/2-13
58	0212916	Washer - Flat 1/2
59	4184700	Washer - Burner Fitting
60	0224701	Machine screw 1/2-13 x 1
61	4187701	Control Arm Kit - Nat (RFPA10B-N6)

RFPA10B - L6	(4247702)
RFPA10B - L6C	(4247706)
RFPA10B - N6	(4247701)
RFPA10B - N6C	(4114302)
RFPA21A - L6	(4115001)
RFPA21A - N6	(4114901)

## CODE REFERENCE

N - Natural Gas

L - LP Gas

6 - 100% Gas Shutoff Control - Manually Operated (Baso Valve)

6C - 100% Gas Shutoff Control - Manually Operated (White-Rodgers valve)

Space Ray 100-212,000 BTU